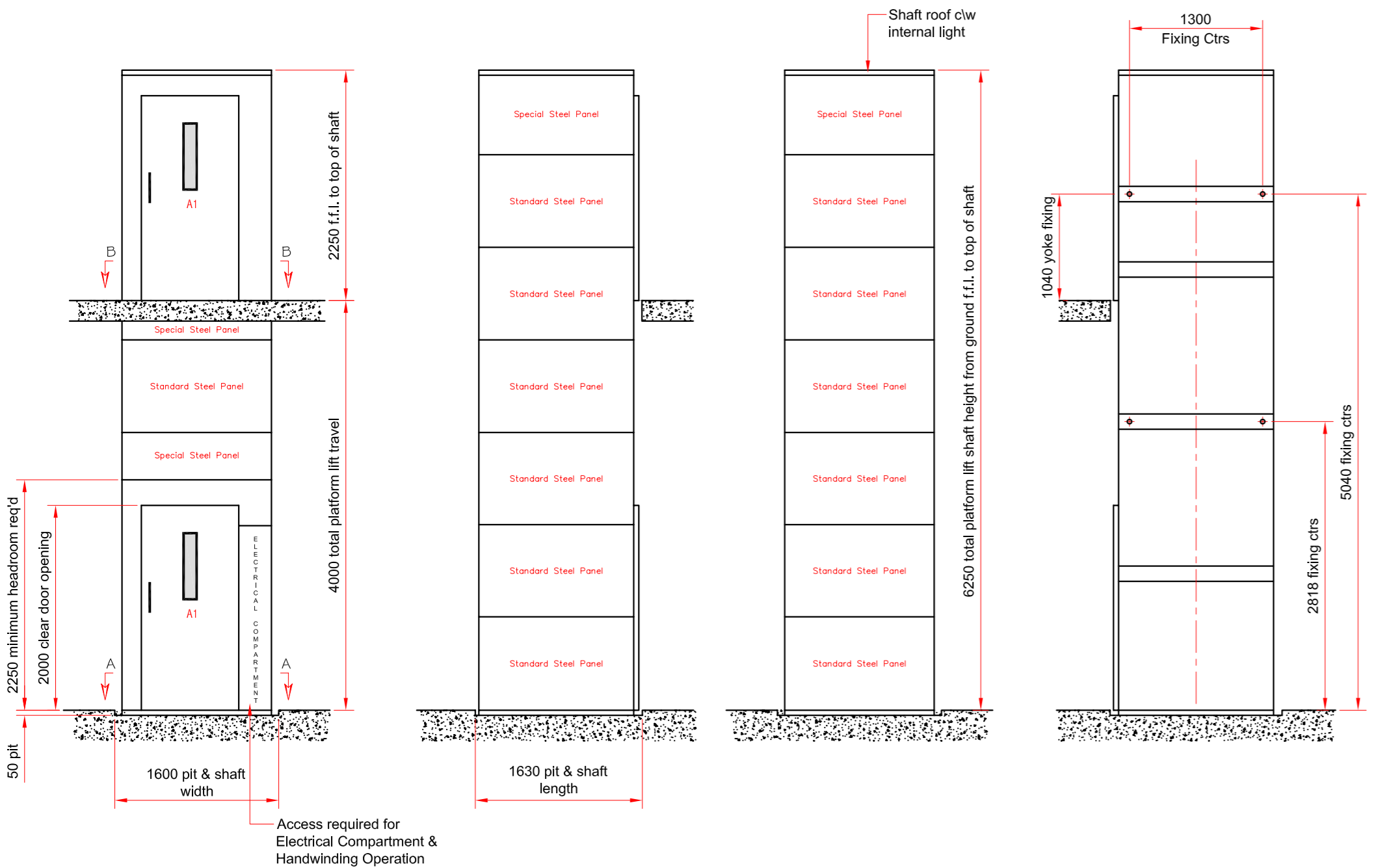


Elevation A

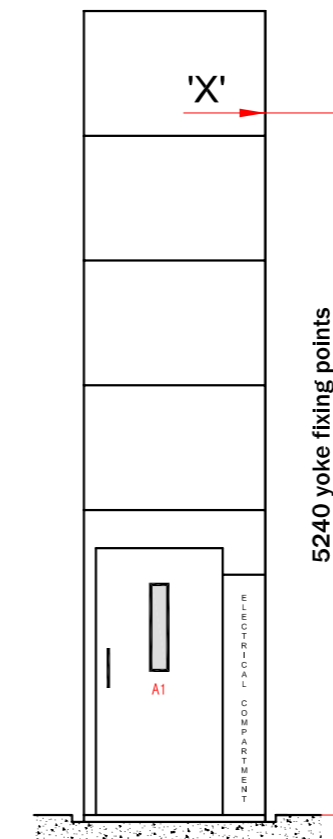
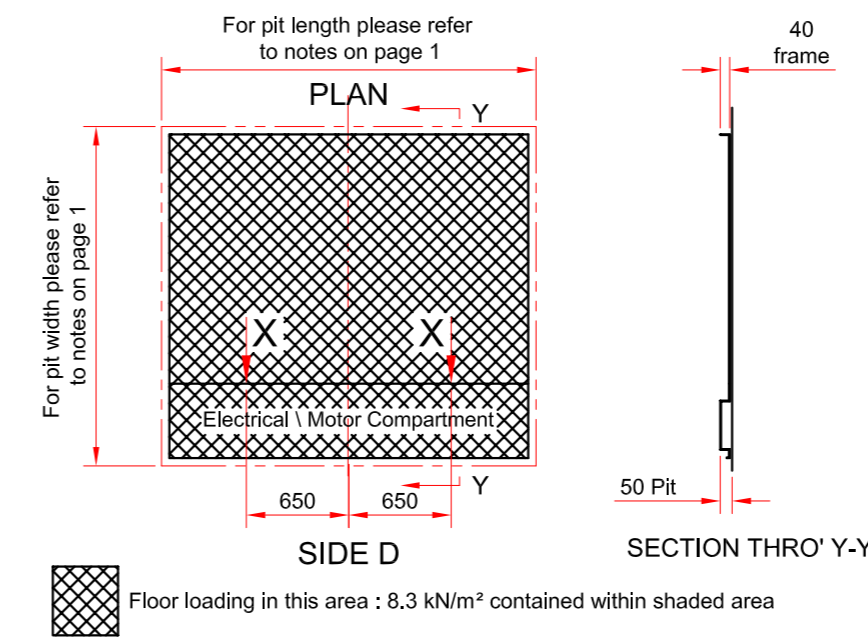
Elevation B

Elevation C

Elevation D



A5000 Floor Loading Details



Pullout Loads

Each fixing has a pull out force of 250N. Based on 4 fixings with 2 fixings at approx 1040mm above upper level F.F.L. and at approx 1300mm apart

Notes

- 1) The pit floor is to be smooth and level within ±5mm and of sufficient structural strength to withstand all loads applied to it. (please see sheet 2 for loading details). Builder to form a pit 1600mm wide x 1630mm long x 50mm deep and upper level floor cutouts of 1600mm x 1630mm positioned directly above the pit below. The lift base frame is to be fixed to the floor by Axess 4 All Ireland Limited using M6 x 60 long screws.
- 2) Please ensure that the wall supplied can withstand all loads imposed upon it. (please see across for loading details).
- 3) The Stabilizing wall must be plumb to ±5mm. The relationship between pit & floor hole is to be plumb and square - 0 / +15.
- 4) If there is not a supporting wall to side 'D' of the Platform lift, we will require assistance to carry the upper level door/s up to the relevant landings.
- 5) There will be some making good after the lift has been installed. The pit and upper floor cutouts are slightly oversize and will need grouting to the lift shaft. Finishing / closer angles will be required to be fitted between the slab and floor and also down the faces of our shaft. All to be done after the installation is complete.
- 6) Builder to ensure that there is a minimum clear opening of 2250mm high at each door position. (unless otherwise specified)
- 7) The finished colour of the platform lift shaft / panels is white factory painted polyurethane. This can be over painted if required using either water based or solvent based paint. The doors are powder coated white (Ral 9016).
- 8) When building infills to the sides or rear of the platform lift structure please ensure that you DO NOT use any mechanical fixings i.e. screws into any part of our structure. Suitable firerating material is to be supplied and fitted by client to shaft to provide fire compartmentation if required.
- 9) Client to ensure that access to the shaft / work area, is restricted completely as clearly noted "for use by authorised installation personnel only", for the duration of the installation.

Electrics

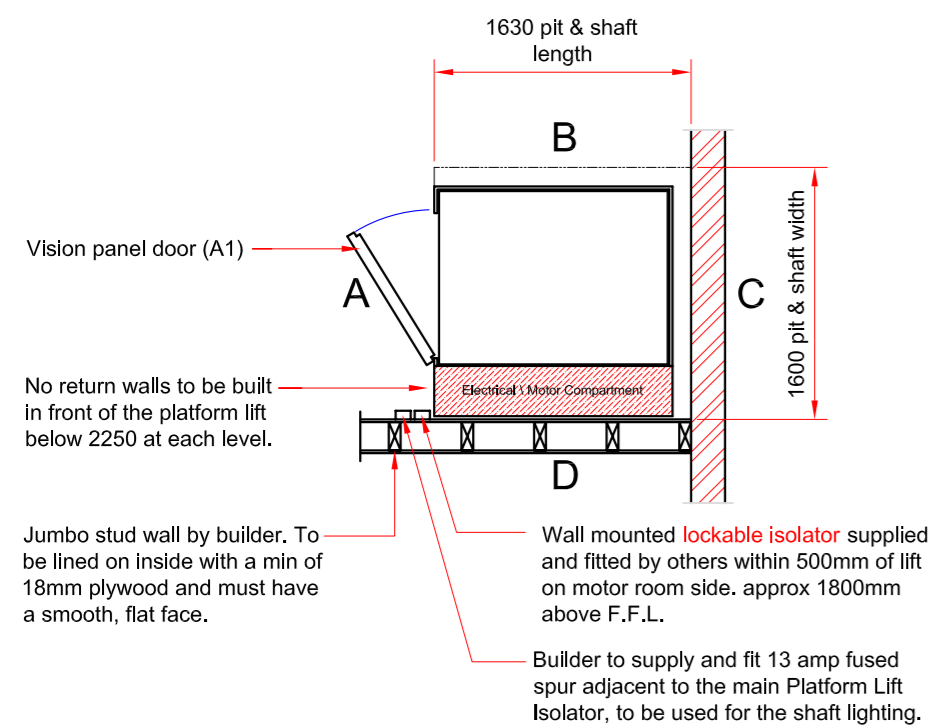
- 1) A permanent 240v 1 phase 20 amp supply terminating in a fused and **lockable Isolator** is to be positioned externally of the lift enclosure and is to be supplied and fitted by others within 500mm of the electrical compartment. If a temporary supply is provided at the start of the installation, this would still need to terminate in a permanent lockable isolator as noted above.  
Starting Current = 14 amps  
Running Current = 8 amps
- 2) Electrical contractor to provide a separate 13 amp fused supply adjacent to the main Platform Lift Isolator, to be used for the shaft lighting. Shaft overhead lighting to be supplied, fitted and wired by Axess 4 All Ireland Limited providing the electrical supply is available at the time of installation.
- 3) Each landing entrance is to be lit to a minimum of 50 lux by others to comply with European codes. A safe working area 1000mm back from the landing edge by full width of the platform lift shaft is required at each level for the duration of the installation.
- 4) A permanent 13amp 3 pin socket is to be provided within 2000mm of the electrical compartment by others.
- 5) Electric shock and medical advice notice's are to be provided and fitted by client in clear view of the platform lift installation.
- 6) We will require a 240v power supply for the Platform lift for the duration of the installation which is to be made available on day one of the installation.

Confirmation Request

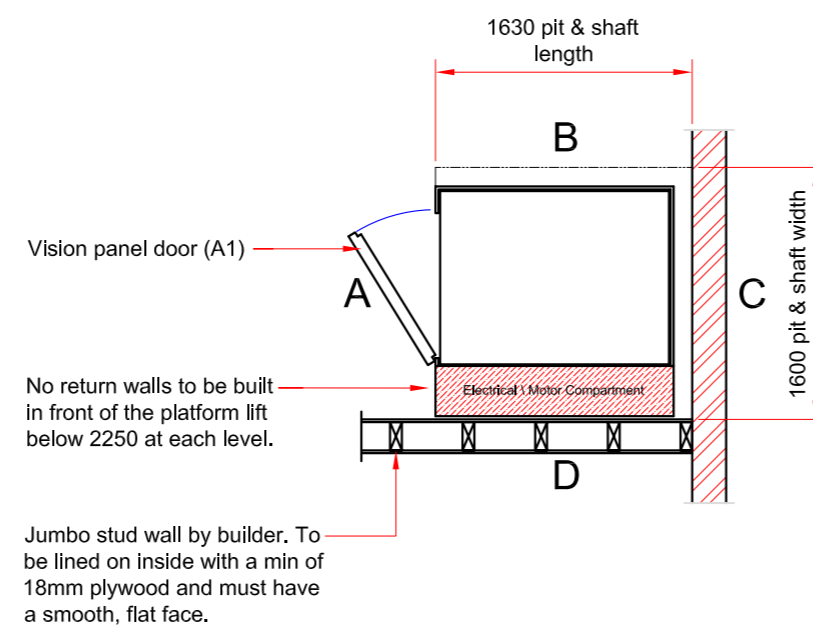
- 1) Please note that we can not commence the manufacture of the Platform Lift until the travel (distance) between all floors to be served has been confirmed. This needs to be accurate to ± 25mm
- 2) The floor to ceiling height has to be a minimum of 2250mm at each landing to accommodate the doors and frames. (unless otherwise specified)

Contractor to Note

- 1) A clear area adjacent to the final Platform Lift location is required by Axess 4 All Ireland Limited at the time of delivery and for the duration of the installation, for safe storage of materials.
- 2) The access route from the delivery vehicle off loading area to the clear storage area (requested above) is to be fully made up. The route is to be free from obstructions and trades at the time of delivery.



Ground Floor Configuration (Section A-A)



First Floor Configuration (Section B-B)

**TYPICAL ONLY DRAWINGS**  
NOT TO BE USED FOR CONSTRUCTION PURPOSES

Drawing Title :

A5000 Platform Lift

**Axess 4 All Ireland Limited**

Doon, Moyard, Connemara, Co. Galway, Ireland.  
Telephone : 095 41397 Facsimile : 095 41397

Drawn :

Date :

Drawing Number :

Date	Rev	Modifications	Int'l